

SCHEDULE OF DRAWINGS & SPECIFICATIONS

SCHEDULE OF DRAWINGS & SPECIFICATIONS

I N D E X

	DESCRIPTION	PAGE
1.	CONTRACT DRAWINGS.....	SD - 1
2.	CITY OF NIAGARA FALLS STANDARD DRAWINGS.....	SD - 1
3.	ONTARIO PROVINCIAL STANDARD DRAWINGS (OPSD).....	SD - 1
4.	ONTARIO PROVINCIAL STANDARD SPECIFICATIONS (OPSS).....	SD - 1

SCHEDULE OF DRAWINGS & SPECIFICATIONS

1. CONTRACT DRAWINGS

Description	Dwg. No.
List of Streets	N/A

2. CITY OF NIAGARA FALLS STANDARD DRAWINGS

The following standard drawings may be found at the end of this section.

Description	Dwg. No.
N/A	N/A

3. ONTARIO PROVINCIAL STANDARD DRAWINGS (OPSDs)

Contractors are advised that the City of Niagara Falls has adopted the Ontario Provincial Standard Drawings.

A copy of OPSD 508.010 can be found at the end of this section.

Copies of all other relevant drawings **ARE NOT** included in this Contract; therefore, it is necessary for Contractors to obtain their own set of current Ontario Provincial Standard Drawings (OPSDs).

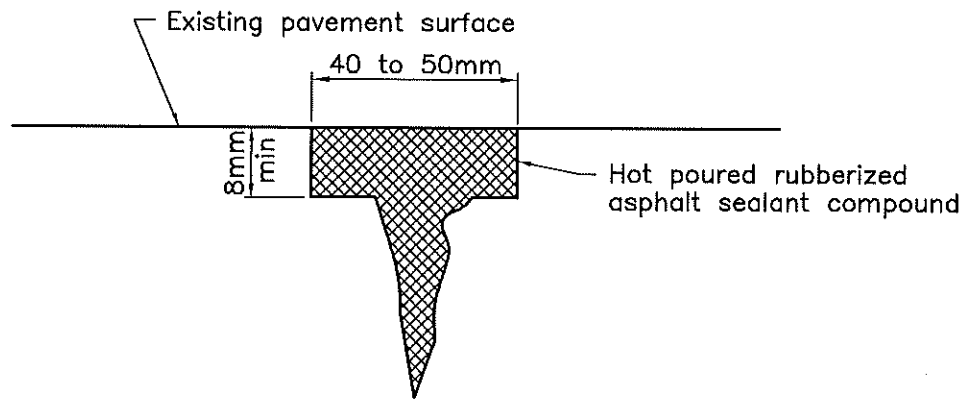
Applicable OPSDs shall be referenced on the contract drawings and within the contract specifications.

4. ONTARIO PROVINCIAL STANDARD SPECIFICATIONS (OPSSs)

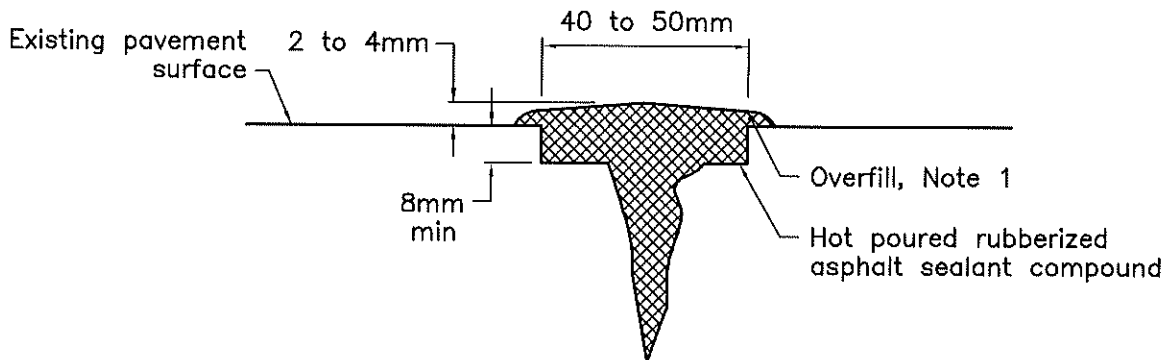
Contractors are advised that the City of Niagara Falls has adopted the Ontario Provincial Standard Specifications.

Copies of the relevant specifications **ARE NOT** included in this Contract; therefore, it is necessary for Contractors to obtain their own set of current Ontario Provincial Standard Specifications (OPSSs).

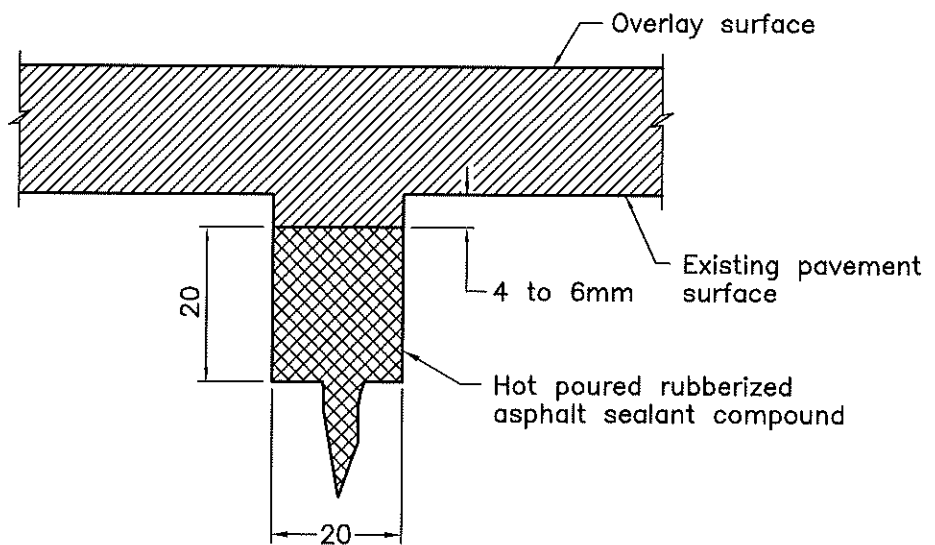
Applicable OPSSs shall be referenced on the contract drawings and within the contract specifications.



FLUSH FILL OF CRACKS WITHOUT OVERLAY




OVERFILL OF CRACKS WITHOUT OVERLAY



CRACKS WITH ASPHALT OVERLAY

NOTE:

- 1 Final overfill geometry after cooling of sealant material.
- A All dimensions are in millimetres unless otherwise shown.

ONTARIO PROVINCIAL STANDARD DRAWING	Nov 2015	Rev 2	
ROUTING AND SEALING CRACKS UP TO 20mm IN WIDTH IN ASPHALT PAVEMENT	----- -----		
OPSD 508.010			