

GEODETIC BM ELEV. = NA m
 ELEVATIONS ARE OF GEODETIC ORIGIN (CGVD-1928/78), AND ARE DERIVED FROM GNSS OBSERVATIONS AND NATURAL RESOURCES CANADA'S GEOD MODEL HT2.0

SITE BENCHMARK ELEV. = NA m

NOTE TO CONTRACTOR :
 DO NOT SCALE DRAWINGS.
 CONTRACTORS MUST CHECK AND VERIFY ALL DIMENSIONS AND REPORT ANY DISCREPANCIES TO THE ENGINEER BEFORE PROCEEDING WITH THE WORK.
 ALL DRAWINGS REMAIN THE PROPERTY OF THE ENGINEER AND SHALL NOT BE REPRODUCED OR REUSED WITHOUT THE ENGINEER'S WRITTEN PERMISSION.
 THE OWNER/ARCHITECT/CONTRACTOR IS ADVISED THAT M.T.E. CONSULTANTS INC. CANNOT CERTIFY ANY COMPONENT OF THE SITE WORKS NOT INSPECTED DURING CONSTRUCTION. IT IS THE RESPONSIBILITY OF THE GENERAL CONTRACTOR TO NOTIFY M.T.E. CONSULTANTS INC. PRIOR TO COMMENCEMENT OF CONSTRUCTION TO ARRANGE FOR INSPECTION.

- NOTE:**
- PROPERTY-LINE IS APPROXIMATE ONLY.
 - EXISTING TOPOGRAPHICAL INFORMATION PROVIDED BY J.D.BARNES.
 - INVERTS ARE TAKEN FROM PLAN SURVEY COMPLETED BY J.D.BARNES AND ARE CONSIDERED APPROXIMATE ONLY. CONTRACTOR TO FIELD VERIFY AND REPORT ANY DISCREPANCIES TO ENGINEER.
 - THIS PLAN IS PART OF A SET OF PLANS WHICH COMPRISE OF THE FOLLOWING: C1.1, C2.1, C2.2, THE MUNICIPAL SERVING REPORT AND THE SWM REPORT.
 - EXISTING WATERMAIN AND UTILITIES INFORMATION TAKEN FROM ROBINSON STREET ROAD CONSTRUCTION PLAN AND PROFILE (CC-8414, CC-8415) PREPARED BY AMEC (AS CONSTRUCTED, 2016-05-08)

8.		
7.		
6.		
5.		
4.		
3.		
2.	RE-ISSUED FOR ZBA & OPA	KRR 2023-02-03
1.	ISSUED FOR ZBA & OPA	KRR 2022-04-05
No.	REVISION	BY YYYY-MM-DD

LEGEND OF EXISTING FEATURES

- SITE BOUNDARY
- EASEMENT
- EXISTING SPOT ELEVATIONS
- EXISTING DIRECTION OF DRAINAGE
- EXISTING SANITARY SEWER
- EXISTING WATERMAIN
- EXISTING STORM SEWER
- EXISTING CURB
- EXISTING BUILDING
- EXISTING FENCE
- EXISTING RETAINING WALL
- EXISTING BOLLARD
- EXISTING MAN DOOR
- EXISTING TRAFFIC SIGNAL/LIGHT STANDARD/UTILITY POLE
- EXISTING TELEPHONE PEDESTAL
- EXISTING HYDRO JUNCTION BOX
- EXISTING TREES
- EXISTING OVERHEAD CABLE
- EXISTING HYDRO
- EXISTING HYDRO DUCT BANK
- EXISTING GAS
- EXISTING BELL
- REMOVALS
- CONCRETE SURFACE REMOVALS
- STONE SURFACE REMOVALS
- GRAVEL SURFACE REMOVALS
- ASPHALT SURFACE REMOVALS
- LIMIT OF WORK FOR REMOVAL OF 250mm SAN SEWER



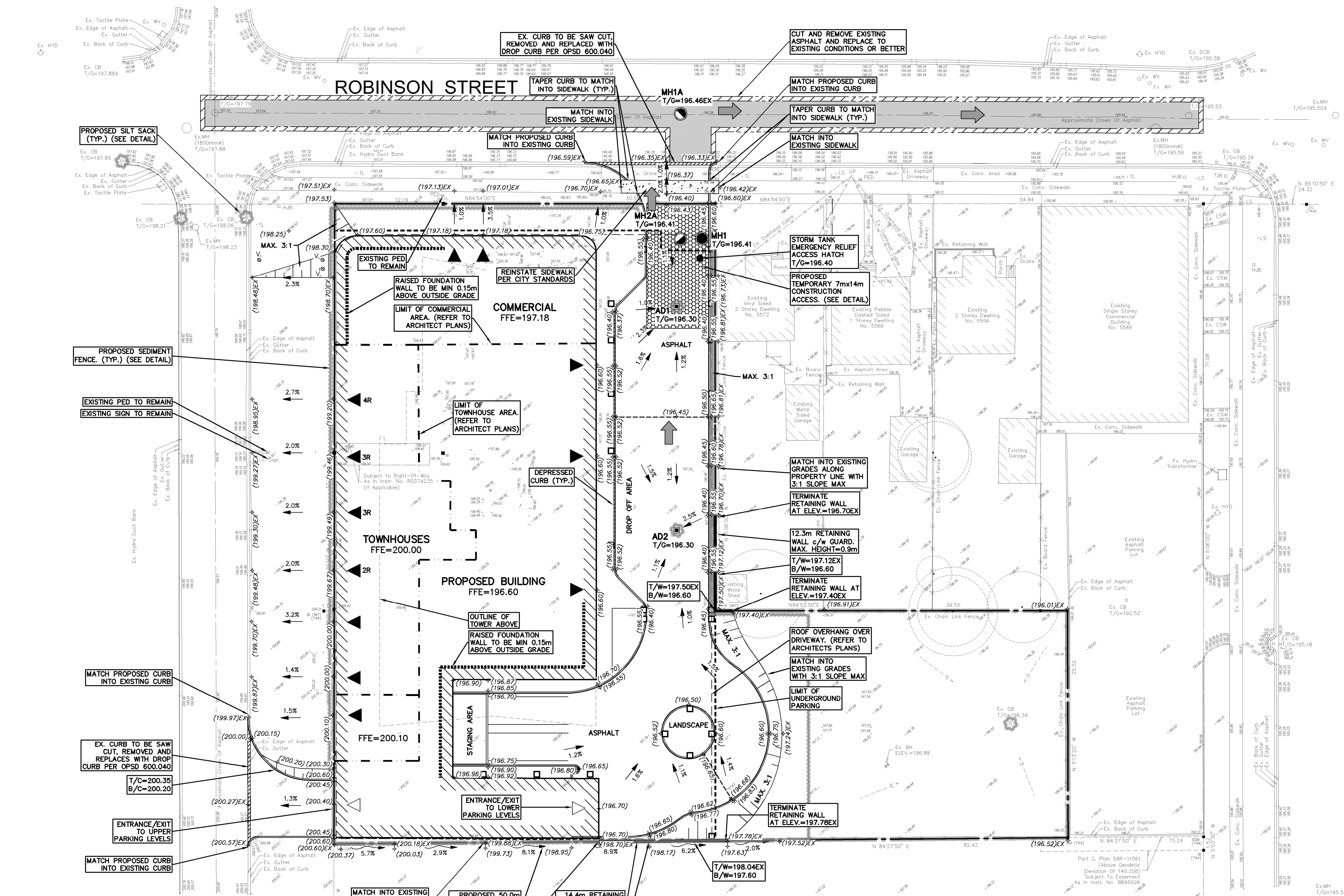
905-639-2552

NOT FOR CONSTRUCTION

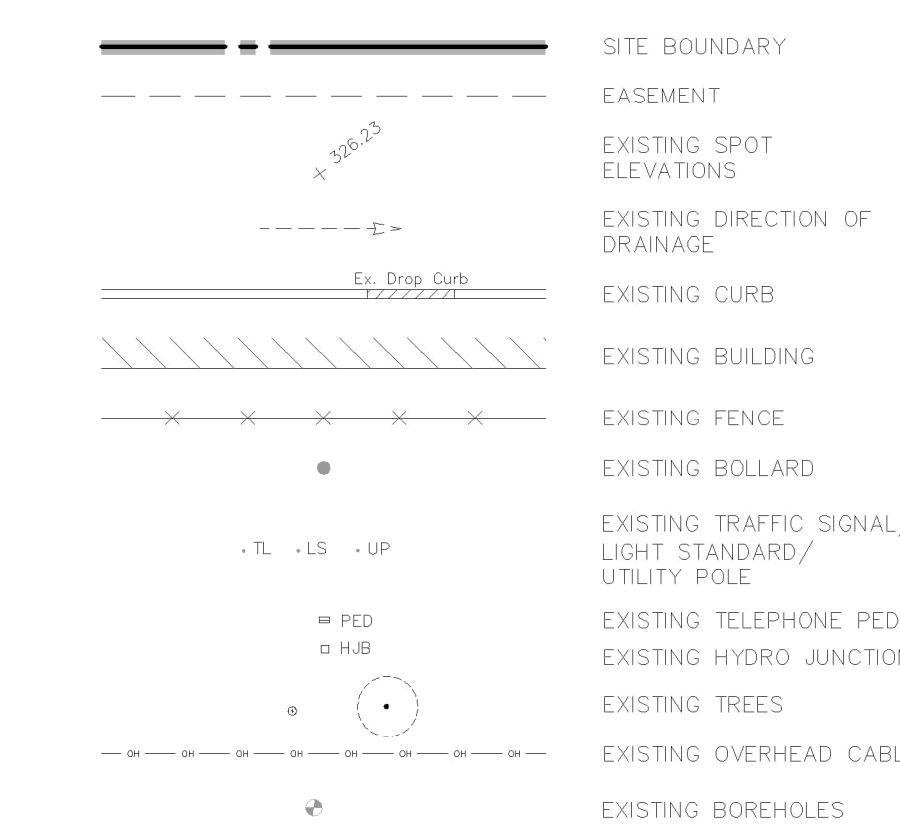
CLIENT
FUDZI INTERNATIONAL GROUP INC.
 6158 ALLENDALE AVE NIAGARA FALLS, ON
 PROJECT
5592 ROBINSON STREET 77 STOREY BUILDING
 5592 ROBINSON STREET NIAGARA FALLS, ON
 DRAWING

EXISTING CONDITIONS AND REMOVALS PLAN

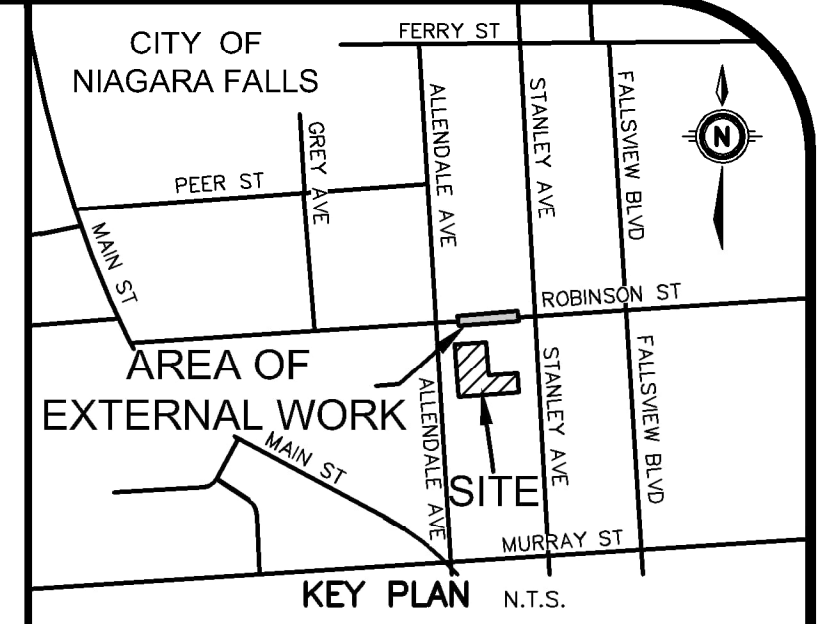
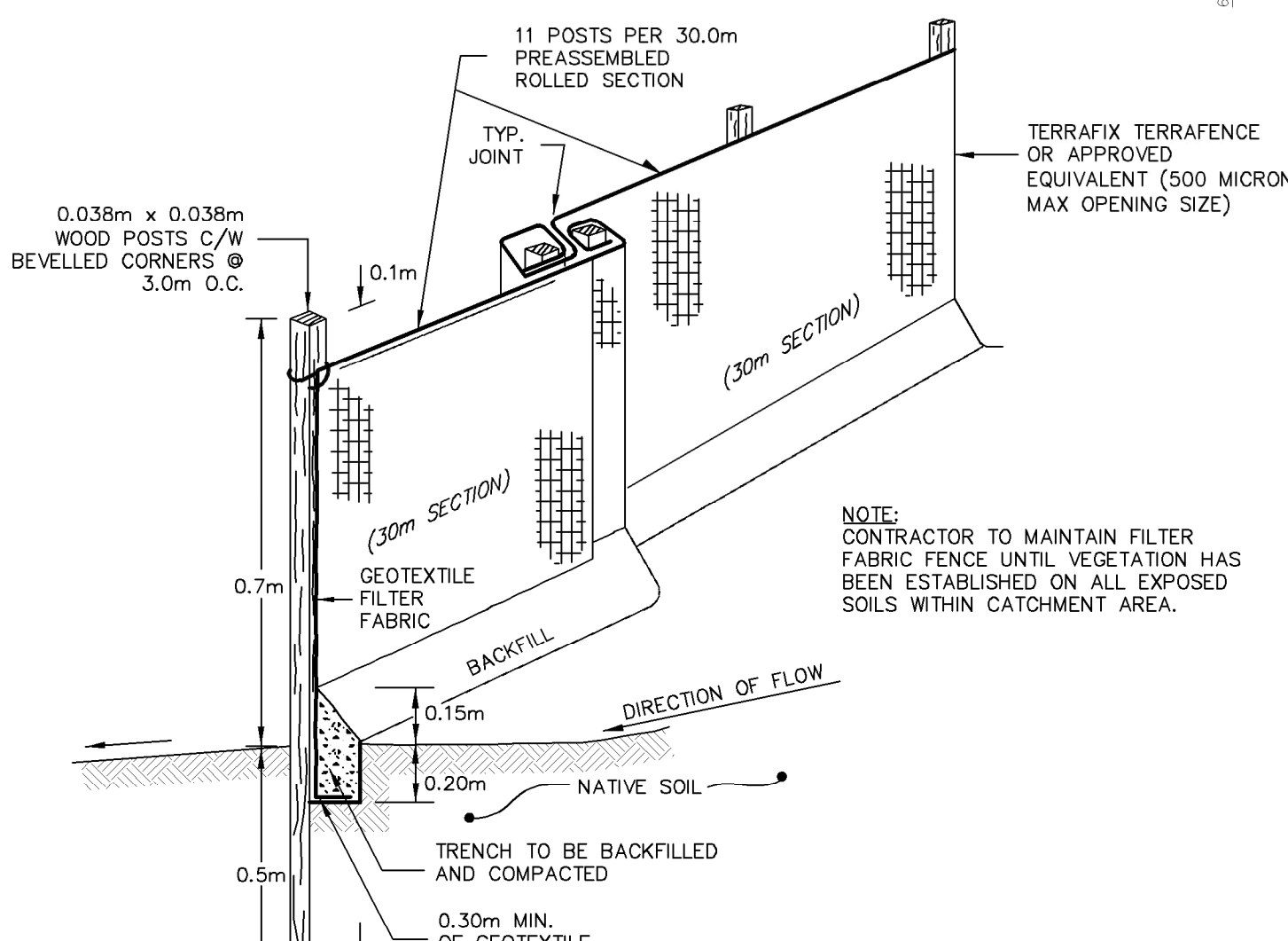
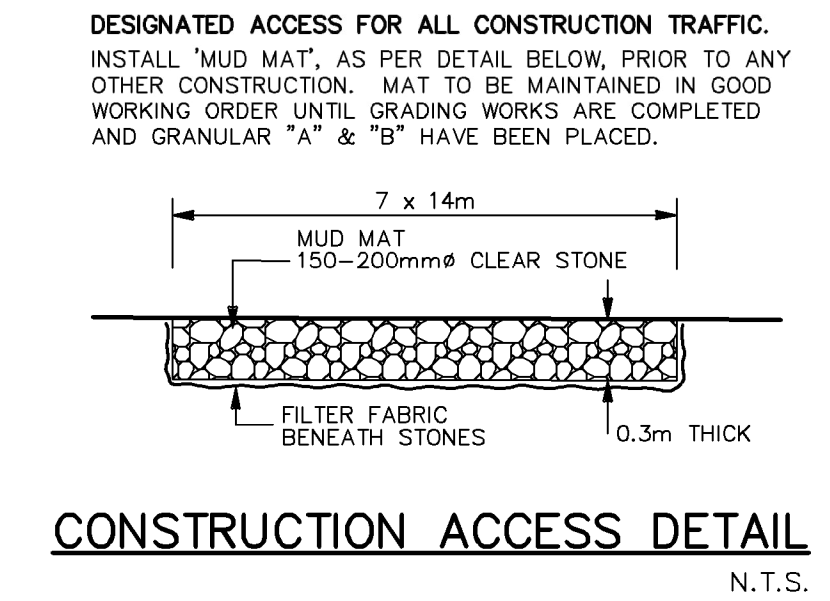
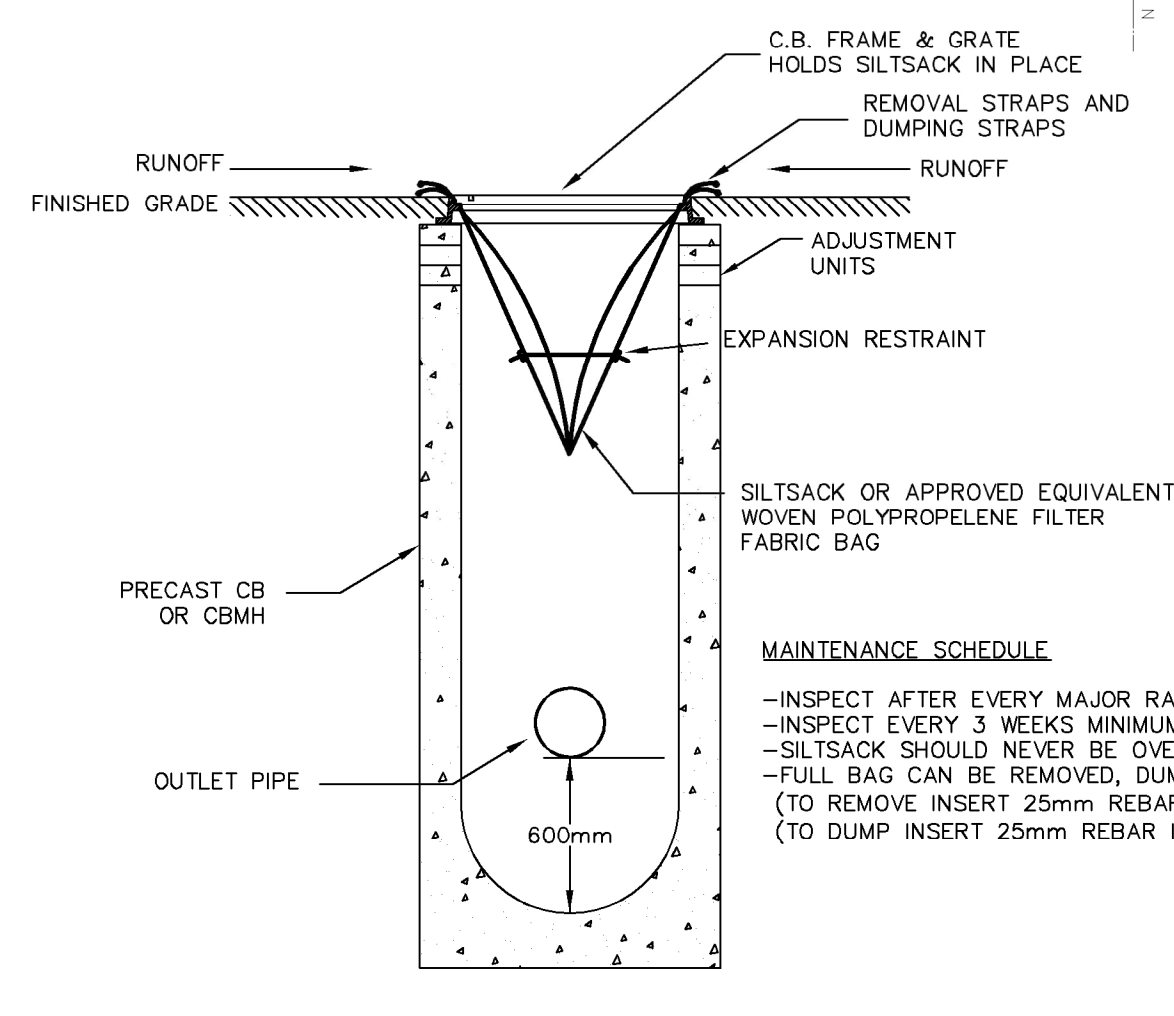
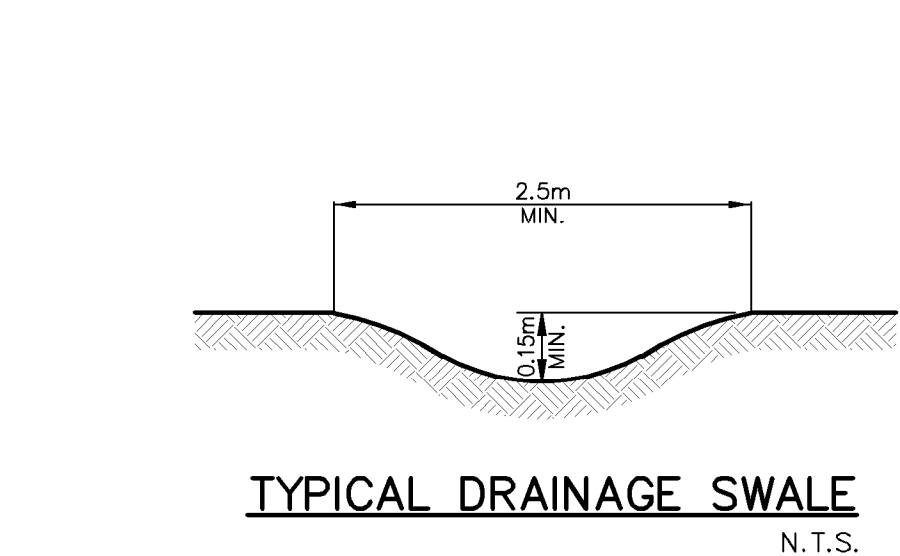
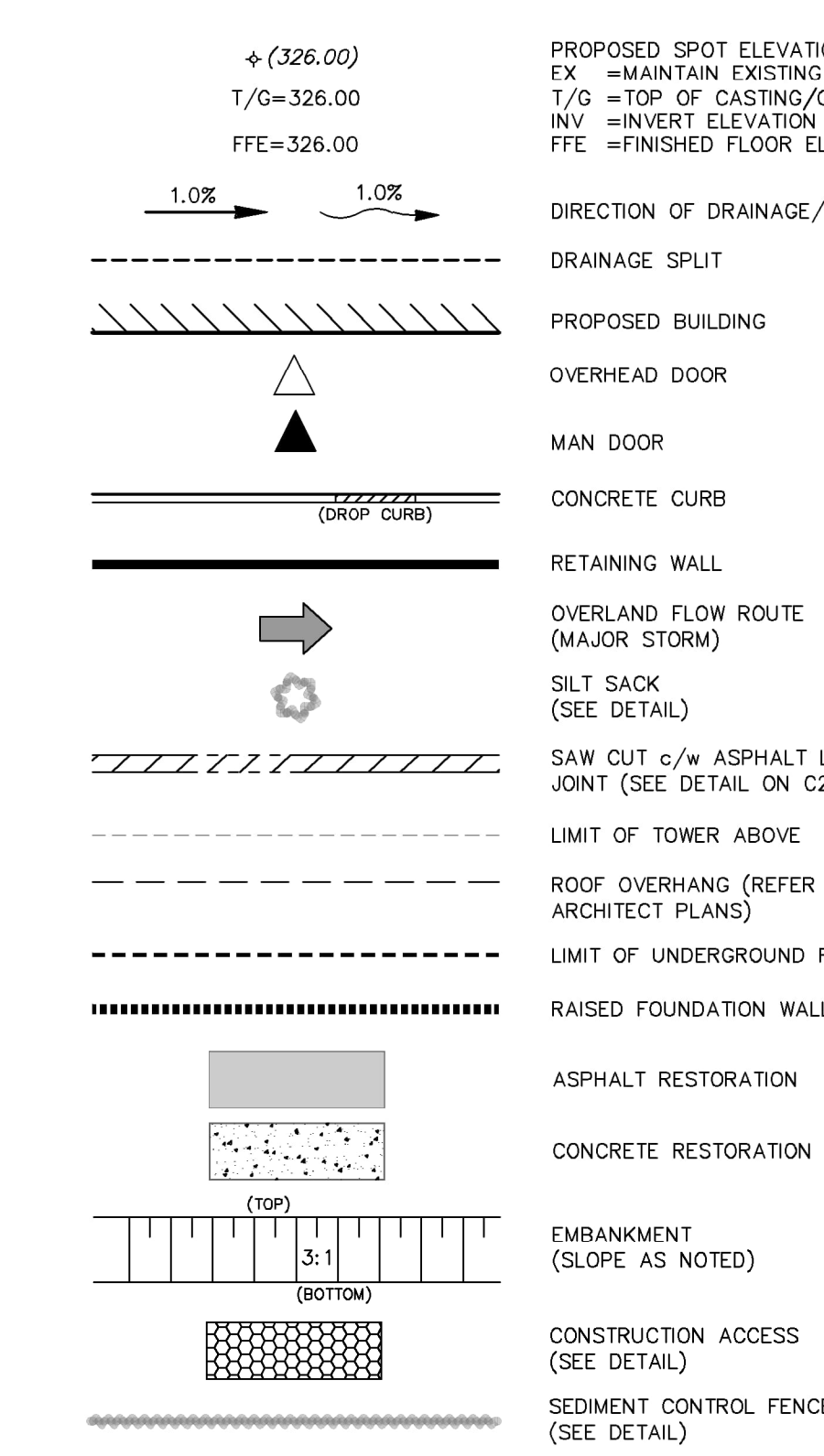
Project Manager	R.CALOGERO	Project No.	50064-100
Design By	RNC	Checked By	KRR
Drawn By	SDU	Checked By	RNC
Surveyed By	OTHERS	Drawing No.	
Date	Jan.11/22	C1.1	
Scale	1:250	Sheet 1 of 4	



LEGEND OF EXISTING FEATURES



LEGEND OF PROPOSED FEATURES



GEODETIC BM ELEV. = NA m
 ELEVATIONS ARE OF GEODETIC ORIGIN (CGVD-1928/78), AND ARE DERIVED FROM GNSS OBSERVATIONS AND NATURAL RESOURCES CANADA'S GEOD MODEL HT2.0

SITE BENCHMARK ELEV. = NA m

NOTE TO CONTRACTOR :
 DO NOT SCALE DRAWINGS.
 CONTRACTORS MUST CHECK AND VERIFY ALL DIMENSIONS BEFORE PROCEEDING WITH THE WORK.
 ALL DRAWINGS REMAIN THE PROPERTY OF THE ENGINEER AND SHALL NOT BE REPRODUCED OR REUSED WITHOUT THE ENGINEER'S WRITTEN PERMISSION.
 THE OWNER/ARCHITECT/CONTRACTOR IS ADVISED THAT M.T.E. CONSULTANTS INC. CANNOT CERTIFY ANY COMPONENT OF THE SITE WORKS NOT INSPECTED DURING CONSTRUCTION. IT IS THE RESPONSIBILITY OF THE GENERAL CONTRACTOR TO NOTIFY M.T.E. CONSULTANTS INC. PRIOR TO COMMENCEMENT OF CONSTRUCTION TO ARRANGE FOR INSPECTION.

- NOTE:**
- PROPERTY-LINE IS APPROXIMATE ONLY.
 - EXISTING TOPOGRAPHICAL INFORMATION PROVIDED BY J.D.BARNES.
 - INVERTS ARE TAKEN FROM PLAN SURVEY COMPLETED BY J.D.BARNES AND ARE CONSIDERED APPROXIMATE ONLY. CONTRACTOR TO FIELD VERIFY AND REPORT ANY DISCREPANCIES TO ENGINEER.
 - THIS PLAN IS PART OF A SET OF PLANS WHICH COMPRISE OF THE FOLLOWING: C1.1, C2.1, C2.2, THE MUNICIPAL SERVING REPORT AND THE SWM REPORT.
 - EXISTING WATERMAIN AND UTILITIES INFORMATION TAKEN FROM ROBINSON STREET ROAD CONSTRUCTION PLAN AND PROFILE (CC-8414, CC-8415) PREPARED BY AMEC (AS CONSTRUCTED, 2016-05-08)

8.		
7.		
6.		
5.		
4.		
3.		
2.	RE-ISSUED FOR ZBA & OPA	KRR 2023-02-03
1.	ISSUED FOR ZBA & OPA	KRR 2022-04-05
No.	REVISION	BY

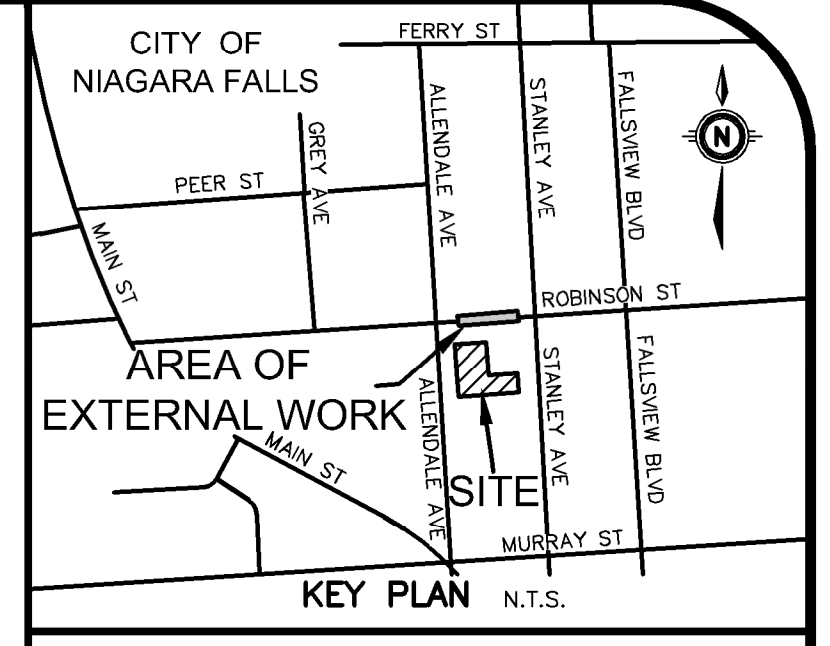
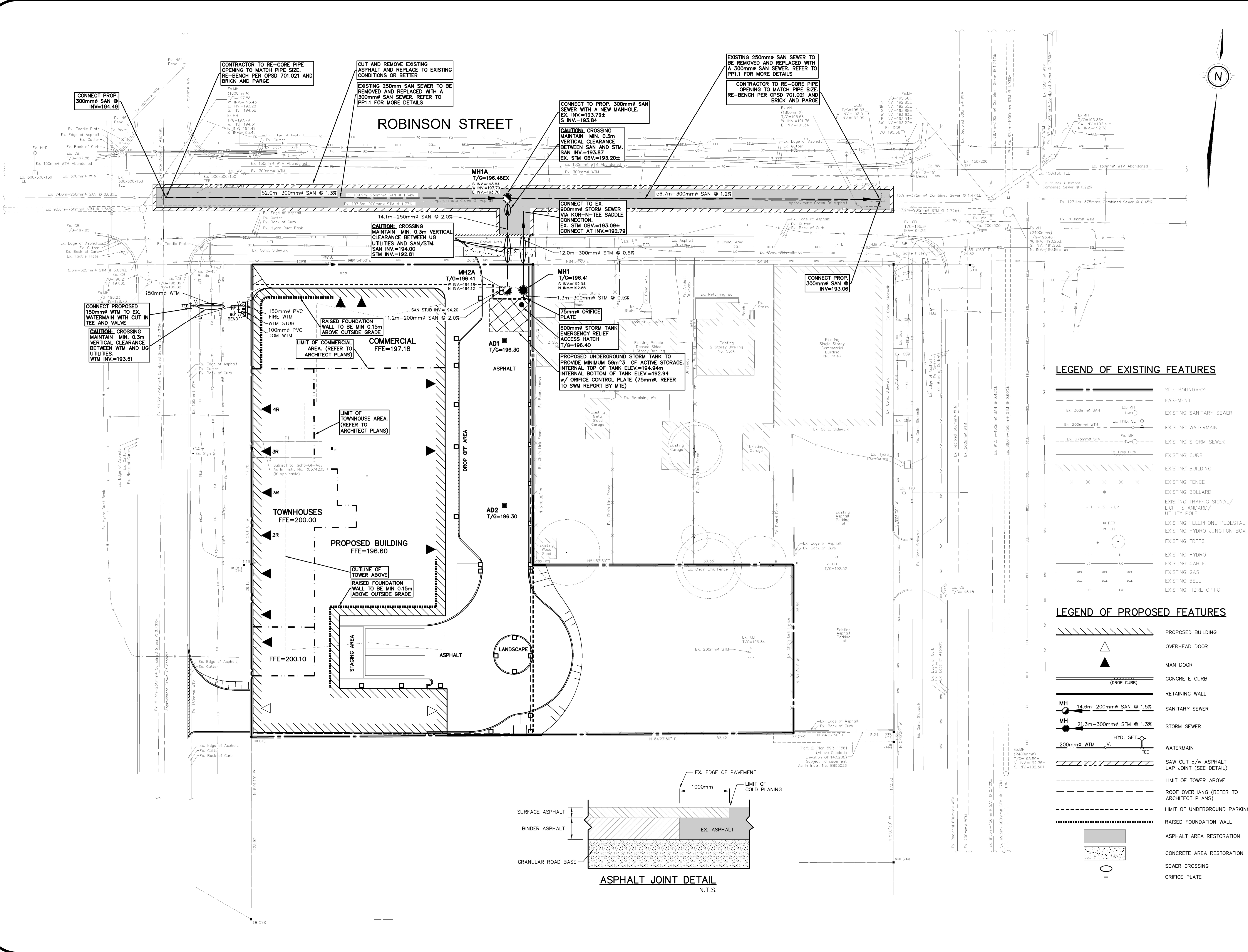
MTE
 Engineers, Scientists, Surveyors
 905-639-2552

PROFESSIONAL ENGINEER
 K.R. RAMSEWAK
 100100928
 2023-02-03
 PROVINCE OF ONTARIO

CLIENT
FUDZI INTERNATIONAL GROUP INC.
 6158 ALLENDALE AVE NIAGARA FALLS, ON
PROJECT
5592 ROBINSON STREET 77 STOREY BUILDING
 5592 ROBINSON STREET NIAGARA FALLS, ON
DRAWING

SITE GRADING AND EROSION & SEDIMENT CONTROL PLAN

Project Manager	R.CALOGERO	Project No.	50064-100
Design By	RNC	Checked By	KRR
Drawn By	SDU/LXQ	Checked By	RNC
Surveyed By	OTHERS	Drawing No.	C2.1
Date	Jan.13/22		
Scale	1:250	Sheet	2 of 4



GEODETIC BM ELEV. = NA m
 ELEVATIONS ARE OF GEODETIC ORIGIN (CGVD-1928/78), AND ARE DERIVED FROM GNSS OBSERVATIONS AND NATURAL RESOURCES CANADA'S GEOD MODEL HT2.0

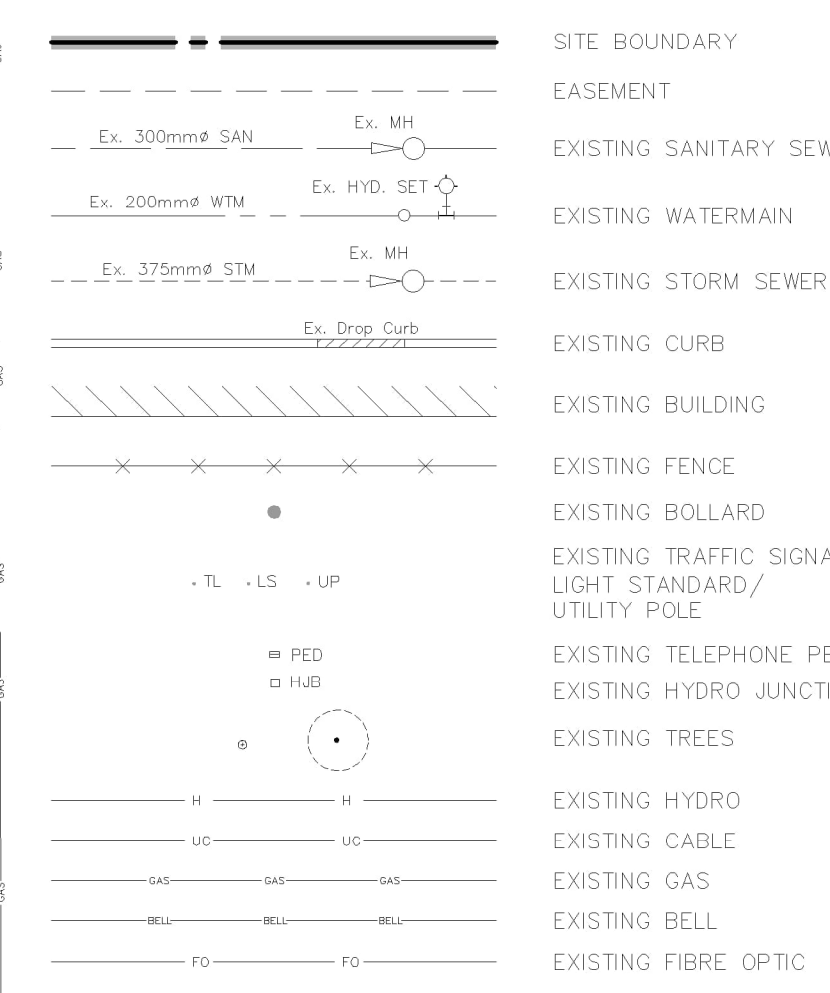
SITE BENCHMARK ELEV. = NA m

NOTE TO CONTRACTOR :
 DO NOT SCALE DRAWINGS.
 CONTRACTORS MUST CHECK AND VERIFY ALL DIMENSIONS AND REPORT ANY DISCREPANCIES TO THE ENGINEER BEFORE PROCEEDING WITH THE WORK.
 ALL DRAWINGS REMAIN THE PROPERTY OF THE ENGINEER AND SHALL NOT BE REPRODUCED OR REUSED WITHOUT THE ENGINEER'S WRITTEN PERMISSION.
 THE OWNER/ARCHITECT/CONTRACTOR IS ADVISED THAT M.T.E. CONSULTANTS INC. CANNOT CERTIFY ANY COMPONENT OF THE SITE WORKS NOT INSPECTED DURING CONSTRUCTION. IT IS THE RESPONSIBILITY OF THE GENERAL CONTRACTOR TO NOTIFY M.T.E. CONSULTANTS INC. PRIOR TO COMMENCEMENT OF CONSTRUCTION TO ARRANGE FOR INSPECTION.

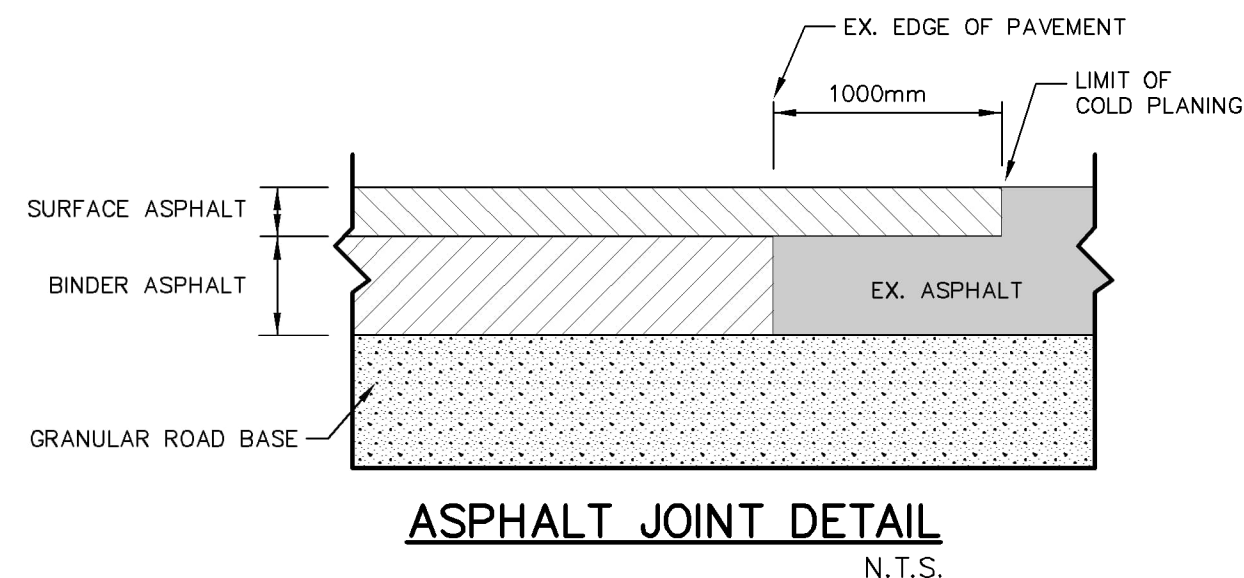
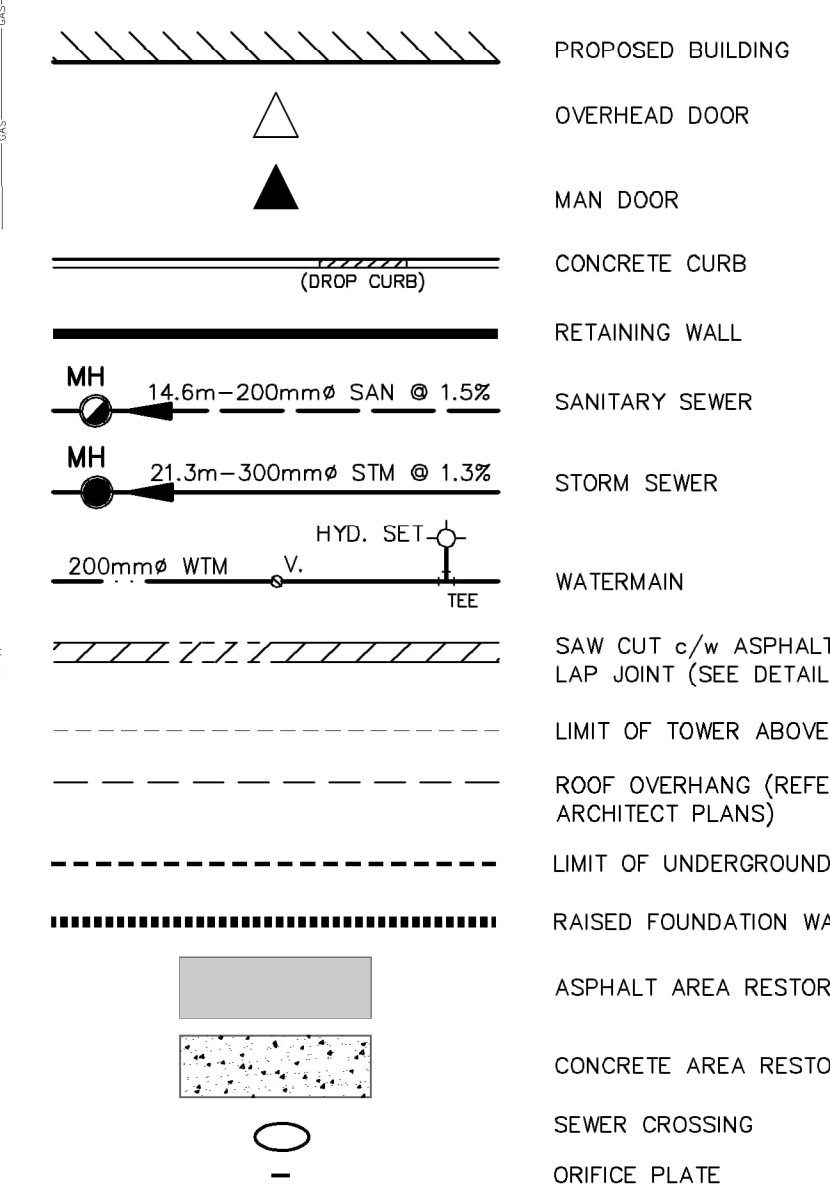
- NOTE:**
- PROPERTY-LINE IS APPROXIMATE ONLY.
 - EXISTING TOPOGRAPHICAL INFORMATION PROVIDED BY J.D.BARNES.
 - INVERTS ARE TAKEN FROM PLAN SURVEY COMPLETED BY J.D.BARNES AND ARE CONSIDERED APPROXIMATE ONLY. CONTRACTOR TO FIELD VERIFY AND REPORT ANY DISCREPANCIES TO ENGINEER.
 - THIS PLAN IS PART OF A SET OF PLANS WHICH COMPRISE OF THE FOLLOWING: C1.1, C2.1, C2.2, THE MUNICIPAL SERVICING REPORT AND THE SWM REPORT.
 - EXISTING WATERMAIN AND UTILITIES INFORMATION TAKEN FROM ROBINSON STREET ROAD CONSTRUCTION PLAN AND PROFILE (CC-8414, CC-8415) PREPARED BY AMEC (AS CONSTRUCTED, 2016-05-08)

8.		
7.		
6.		
5.		
4.		
3.		
2.	RE-ISSUED FOR ZBA & OPA	KRR 2023-02-03
1.	ISSUED FOR ZBA & OPA	KRR 2022-04-05
No.	REVISION	BY YYYY-MM-DD

LEGEND OF EXISTING FEATURES



LEGEND OF PROPOSED FEATURES



905-639-2552



NOT FOR CONSTRUCTION

CLIENT
FUDZI INTERNATIONAL GROUP INC.
 6158 ALLENDALE AVE NIAGARA FALLS, ON
 PROJECT
5592 ROBINSON STREET
77 STOREY BUILDING
 5592 ROBINSON STREET NIAGARA FALLS, ON
 DRAWING

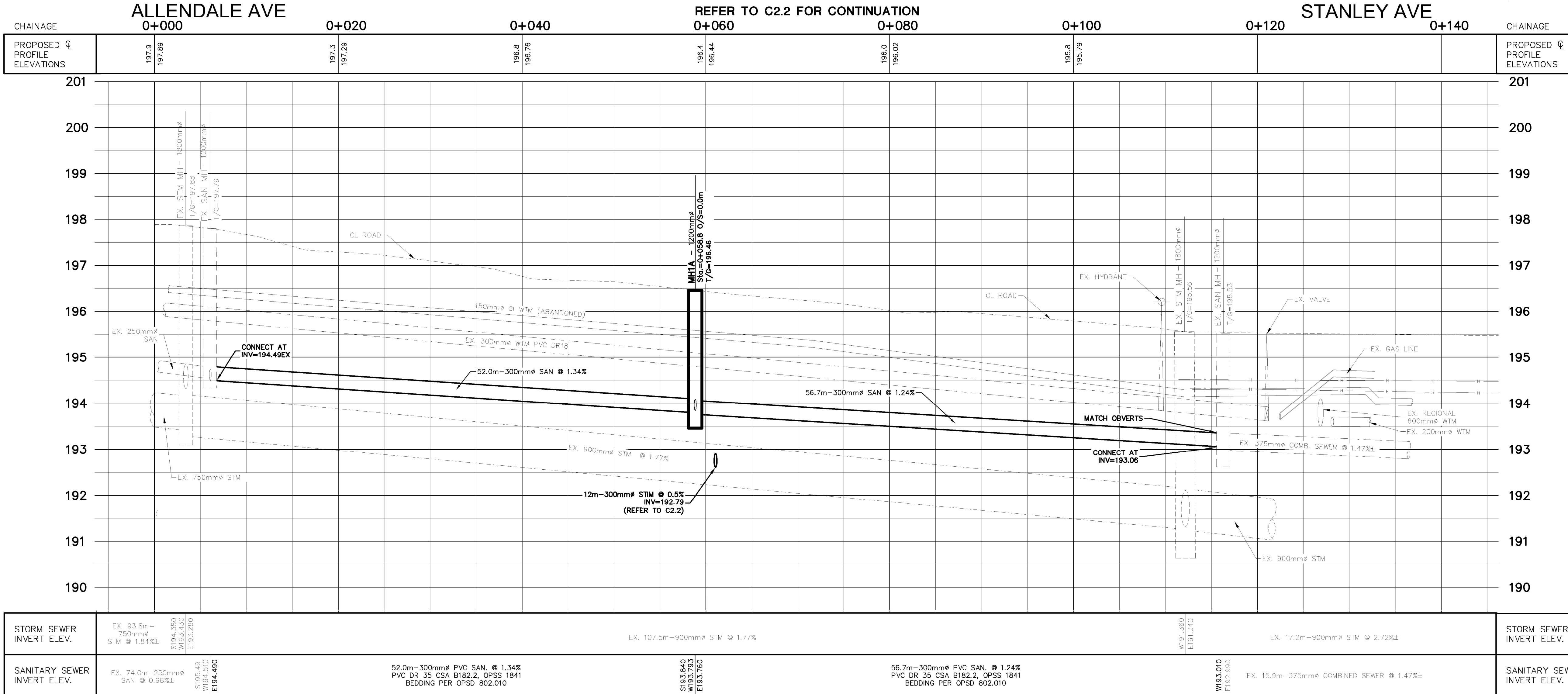
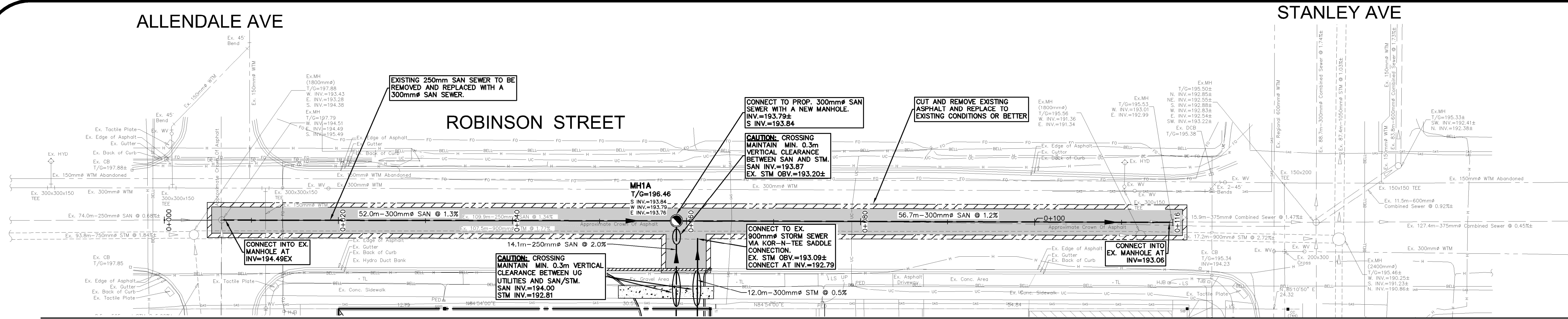
SITE SERVICING PLAN

Project Manager	R.CALOGERO	Project No.	50064-100
Design By	RNC	Checked By	KRR
Drawn By	SDU/LXQ	Checked By	RNC
Surveyed By	OTHERS	Drawing No.	
Date	Jan.13/22		C2.2
Scale	1:250	Sheet	3 of 4

P:\P_50064\100_50064-100-PP1

MTE FILE PATH:

February 2, 2023 4:32:54 PM - Plotted By: Lina Qin



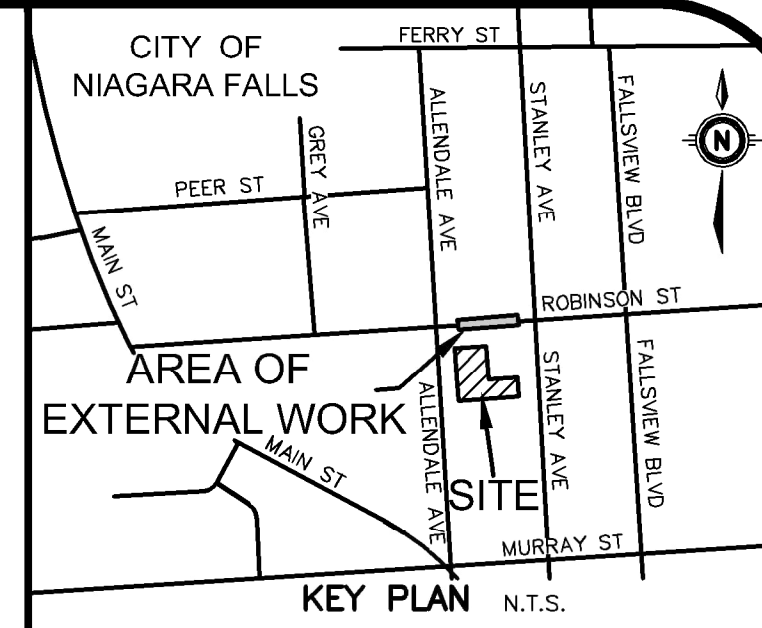
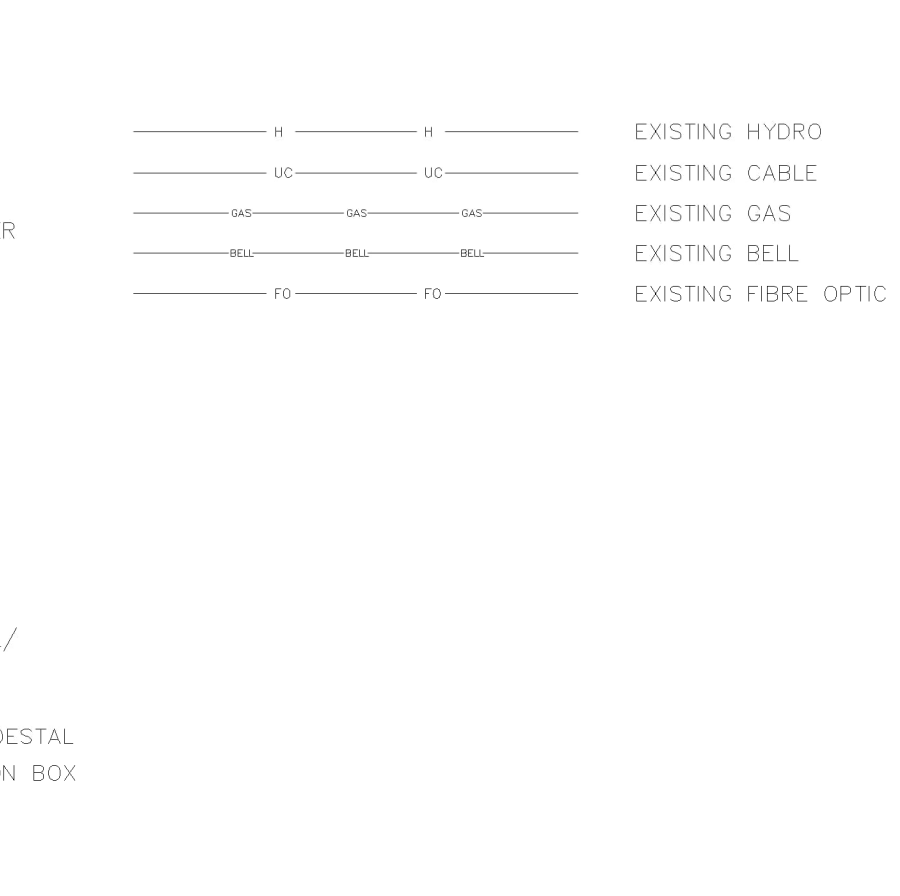
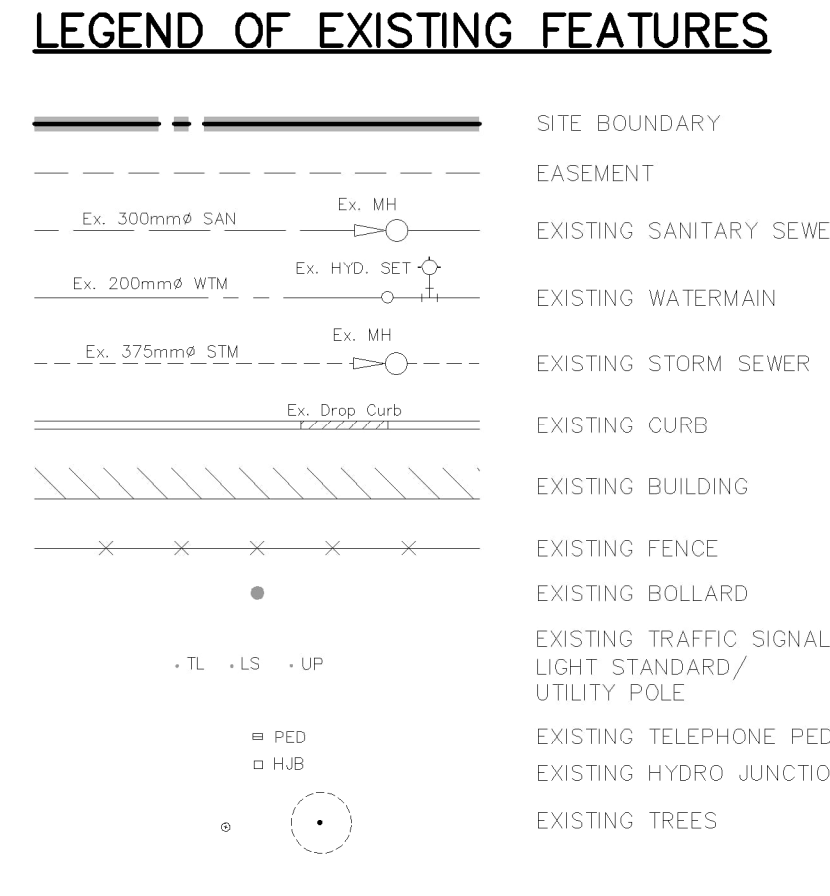
NOTES TO CONTRACTOR:

- INSPECTION**
CONTRACTOR IS RESPONSIBLE FOR CONTACTING ENGINEER 48 HRS PRIOR TO COMMENCING WORK TO ARRANGE FOR INSPECTION. ENGINEER TO DETERMINE DEGREE OF INSPECTION AND TESTING REQUIRED FOR CERTIFICATION OF UNDERGROUND SERVICE INSTALLATION AS MANDATED BY ONTARIO BUILDING CODE DIVISION C. PART 1, SECTION 1.2.2. GENERAL REVIEW, FAILURE TO NOTIFY ENGINEER WILL RESULT IN EXTENSIVE POST CONSTRUCTION INSPECTION AT CONTRACTORS EXPENSE.
- CONFIRMATION OF EXISTING INVERTS**
72 HOURS PRIOR TO THE START OF CONSTRUCTION, THE CONTRACTOR IS TO LOCATE, EXPOSE AND VERIFY INVERTS OF EXISTING SEWERS AT CONNECTION POINTS AND REPORT FINDINGS TO MTE. SHOULD THE CONTRACTOR PROCEED WITHOUT COMPLETING THESE LOCATES, EXTRA COSTS RESULTING FROM DELAYS AND STANDBY TIME WILL NOT BE CONSIDERED.
- SHOP DRAWINGS**
CONTRACTOR TO PROVIDE SHOP DRAWINGS TO THE ENGINEER FOR REVIEW AND APPROVAL FOR ALL CHAMBERS AND STRUCTURES PRIOR TO THE START OF CONSTRUCTION AND PRIOR TO ORDERING ANY STRUCTURES AND PARTS.
- EXISTING UTILITIES**
FOR CONNECTIONS TO EXISTING SERVICING ALONG BASELINE ROAD, PRIOR TO CONSTRUCTION THE CONTRACTOR IS TO OBTAIN UTILITY LOCATES AND CONFIRM THE DEPTH OF ALL EXISTING UTILITIES AND SERVICES AND REPORT FINDINGS TO THE ENGINEER. IF REQUIRED, DAYLIGHT EXISTING UTILITIES TO CONFIRM THE DEPTH.

SANITARY SEWERS NOTES:

- PIPE BEDDING FOR RIGID PIPE TO BE CLASS "B" AS PER OPSS 802.030. PIPE BEDDING FOR FLEXIBLE PIPE TO BE AS PER OPSS 802.010. BEDDING MATERIAL AND COVER MATERIAL TO BE GRANULAR "A". TRENCH BACKFILL TO BE NATIVE MATERIAL REPLACED IN 300mm LIFTS AND COMPACTED TO 100% SPMDD
- SANITARY SEWER PIPE SHALL BE POLYVINYL CHLORIDE (PVC) PIPE DR35 CSA B182.2 CONFORMING TO OPSS 1841 WITH INTEGRAL BELL AND SPIGOT UTILIZING FLEXIBLE ELASTOMERIC SEALS.
- MANHOLES TO BE 1200mm ϕ PRECAST WITH ALUMINIUM STEPS AT 300mm CENTRES AS PER OPSS 701.010 UNLESS OTHERWISE SPECIFIED.
- MANHOLES TO BE BENCHED PER OPSS 701.021.
- SANITARY MANHOLE LIDS TO BE PER OPSS 401.010 -TYPE 'A'.
- MANHOLE FRAMES, CASTINGS AND LIDS TO BE QUALITY GREY IRON ASTM A48 CLASS 30B.
- ADJUSTMENT UNITS FOR SANITARY STRUCTURES TO BE IN ACCORDANCE WITH OPSS 704.010 OR 704.011.
- FACTORY FABRICATED WYES SHALL BE USED FOR ALL SERVICE CONNECTIONS.
- SANITARY SEWERS AND SERVICES TO HAVE MINIMUM 1.4m COVER ON TOP OF PIPE.
- CONTRACTOR RESPONSIBLE FOR TESTING OF SANITARY SEWERS IN ACCORDANCE WITH OPSS 410.

1.11. SANITARY LATERAL INSTALLATION WITHIN THE MUNICIPAL ROW SHALL BE DONE BY THE CITY OF NIAGARA FALLS PUBLIC WORKS DEPARTMENT OR THEIR DESIGNATE, AND IN ACCORDANCE WITH THE CITY OF NIAGARA FALLS MUNICIPAL STANDARDS. ALL COSTS ASSOCIATED WITH THE INSTALLATION OF THE SANITARY SERVICE SHALL BE IN ACCORDANCE WITH THE MOST CURRENT CITY OF NIAGARA FALLS USER FEE BY-LAW.



GEODETIC BM ELEV. = NA m
ELEVATIONS ARE OF GEODETIC ORIGIN (CGVD-1928/78), AND ARE DERIVED FROM GNSS OBSERVATIONS AND NATURAL RESOURCES CANADA'S GEOD MODEL HTZ.0

SITE BENCHMARK ELEV. = NA m

NOTE TO CONTRACTOR :
DO NOT SCALE DRAWINGS.
CONTRACTORS MUST CHECK AND VERIFY ALL DIMENSIONS AND REPORT ANY DISCREPANCIES TO THE ENGINEER BEFORE PROCEEDING WITH THE WORK.
ALL DRAWINGS REMAIN THE PROPERTY OF THE ENGINEER AND SHALL NOT BE REPRODUCED OR REUSED WITHOUT THE ENGINEER'S WRITTEN PERMISSION.
THE OWNER/ARCHITECT/CONTRACTOR IS ADVISED THAT M.T.E. CONSULTANTS INC. CANNOT CERTIFY ANY COMPONENT OF THE SITE WORKS NOT INSPECTED DURING CONSTRUCTION. IT IS THE RESPONSIBILITY OF THE GENERAL CONTRACTOR TO NOTIFY M.T.E. CONSULTANTS INC. PRIOR TO COMMENCEMENT OF CONSTRUCTION TO ARRANGE FOR INSPECTION.

- NOTE:**
- PROPERTY-LINE IS APPROXIMATE ONLY.
 - EXISTING TOPOGRAPHICAL INFORMATION PROVIDED BY J.D.BARNES.
 - INVERTS ARE TAKEN FROM PLAN SURVEY COMPLETED BY J.D.BARNES AND ARE CONSIDERED APPROXIMATE ONLY. CONTRACTOR TO FIELD VERIFY AND REPORT ANY DISCREPANCIES TO ENGINEER.
 - THIS PLAN IS PART OF A SET OF PLANS WHICH COMPRISE OF THE FOLLOWING: C1.1, C2.1, C2.2, THE MUNICIPAL SERVICING REPORT AND THE SWM REPORT.
 - EXISTING WATERMAIN AND UTILITIES INFORMATION TAKEN FROM ROBINSON STREET ROAD CONSTRUCTION PLAN AND PROFILE (CC-8414, CC-8415) PREPARED BY AMEC (AS CONSTRUCTED, 2016-05-08)

8.		
7.		
6.		
5.		
4.		
3.		
2.	RE-ISSUED FOR ZBA & OPA	KRR 2023-02-03
1.	ISSUED FOR ZBA & OPA	KRR 2022-04-05
No.	REVISION	BY

MTE
Engineers, Scientists, Surveyors
905-639-2552

PROVINCE OF ONTARIO
LICENSED PROFESSIONAL ENGINEER
K.R. RAMSEWAK
100100928
2023-02-03

NOT FOR CONSTRUCTION

CLIENT
FUDZI INTERNATIONAL GROUP INC.
6158 ALLENDALE AVE NIAGARA FALLS, ON
PROJECT
**5592 ROBINSON STREET
77 STOREY BUILDING**
5592 ROBINSON STREET NIAGARA FALLS, ON
DRAWING
**EXTERNAL WORKS -
SANITARY SEWERS
ROBINSON STREET**
STA 0+000 TO STA 0+116

Project Manager	R.CALOGERO	Project No.	50064-100
Design By	RNC	Checked By	KRR
Drawn By	LXQ	Checked By	RNC
Surveyed By	OTHERS	Drawing No.	PP1.1
Date	Nov.25/22		
Scale	1:250		Sheet 4 of 4