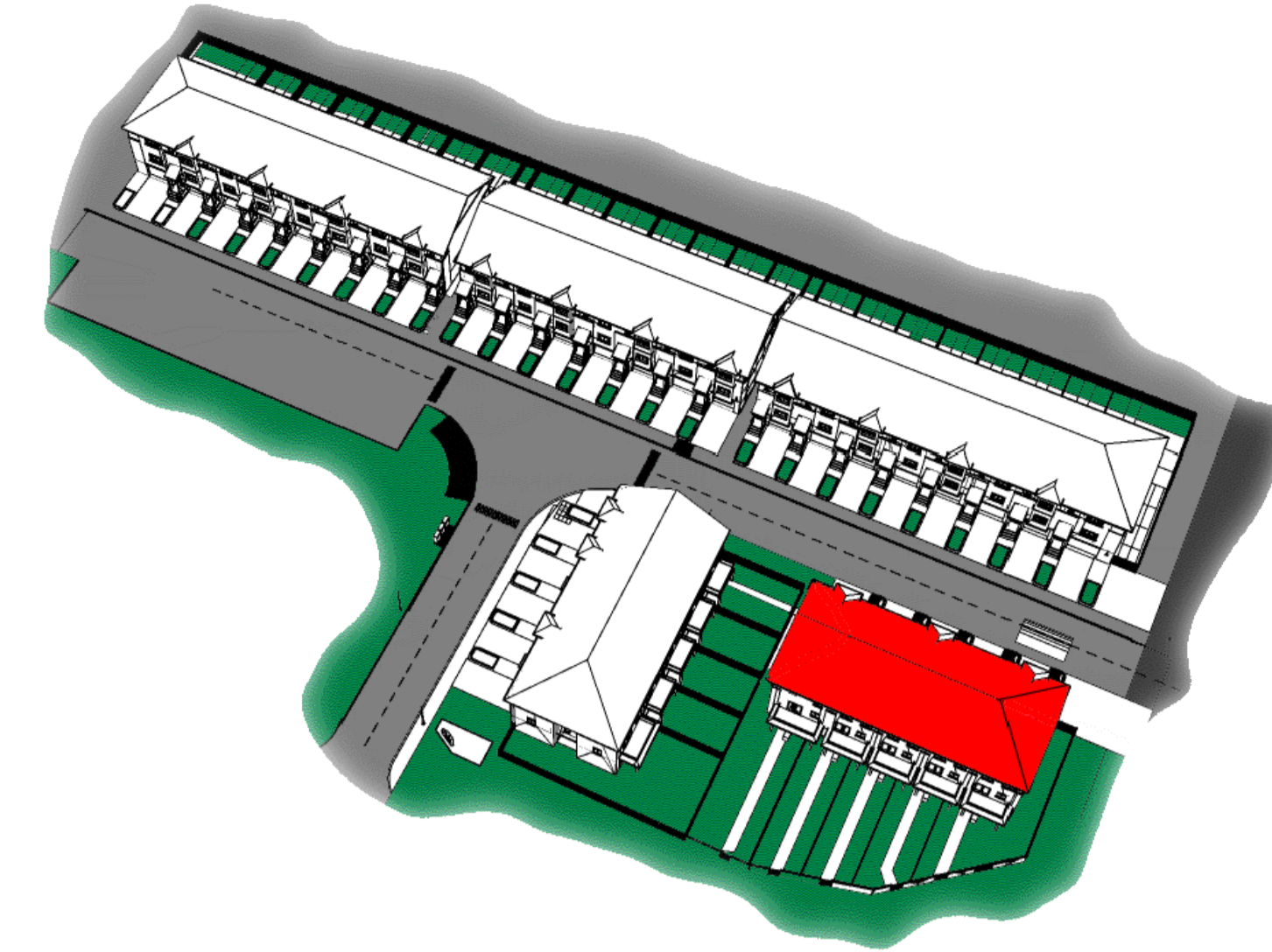


1 First Floor Plan - Block E
Scale: 1:100



ALL DRAWINGS AND RELATED DOCUMENTS ARE THE COPYRIGHT PROPERTY OF CONCEPTLINES, INC. AND MUST BE RETURNED UPON REQUEST. REPRODUCTION OF DRAWINGS AND RELATED DOCUMENTS IN WHOLE OR IN PART IS FORBIDDEN WITHOUT WRITTEN PERMISSION OF CONCEPTLINES, INC. ALL DIMENSIONS AND MEASUREMENTS MUST BE CHECKED AND VERIFIED BY THE CONTRACTOR. THE CONTRACTOR MUST REPORT ALL DISCREPANCIES AND ERRORS OR OMISSIONS TO THE ARCHITECT IN WRITING. THIS DRAWING IS NOT FOR CONSTRUCTION UNLESS IT CLEARLY STATES 'ISSUED FOR CONSTRUCTION' BY THE ARCHITECT ON THE REVISION COLUMN. DO NOT SCALE DRAWINGS.



GENERAL NOTES:
ALL DRAWINGS AND DETAILS INCLUDED ARE FOR REFERENCE ONLY.

NO.	REVISION/ISSUE	DATE



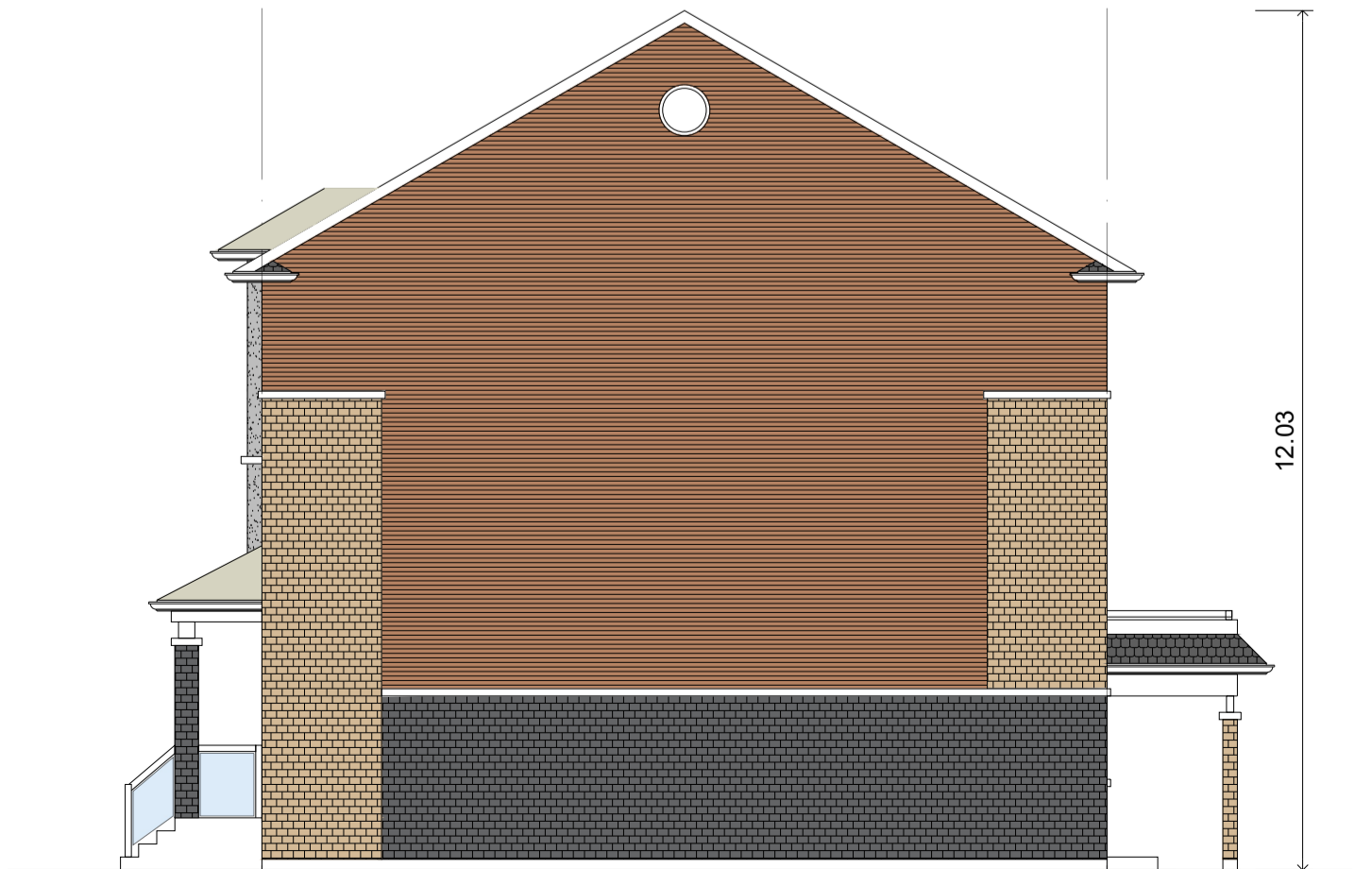
2 Front Elevation - Block E
Scale: 1:100



5 Side Elevation-2 - Block E
Scale: 1:100



3 Back Elevation - Block E
Scale: 1:100



4 Side Elevation-1 - Block E
Scale: 1:100

NORTH

SEAL

PROJECT TITLE
CARDINAL MEADOWS
#33 TOWN HOUSES DEVELOPMENT

PROJECT ADDRESS
3958 CARDINAL DRIVE
NIAGARA FALLS, ON

OWNER
12604515 CANADA CORPORATION

CONCEPTLINES
INC. CA
349 Beach Blvd. Hamilton ON L8H 6W4
Email: feed@conceptlines.ca
www.conceptlines.ca
Tel: 289-919-0607

Drawing title:
BLOCK (D) FIRST FLOOR PLAN & ELEVATIONS

Scale:
1 : 100

Date:
JUNE 2023

Project No.
2022-12

Drawing No.
A204